

## DS-2CE16D0T-IRF HD 1080p Bullet Camera



### Key Features

- 2 megapixel high performance CMOS
- Analog HD output, up to 1080p resolution
- Day/Night switch
- Smart IR, up to 20 m IR distance
- Switchable TVI/AHD/CVI/CVBS
- IP66

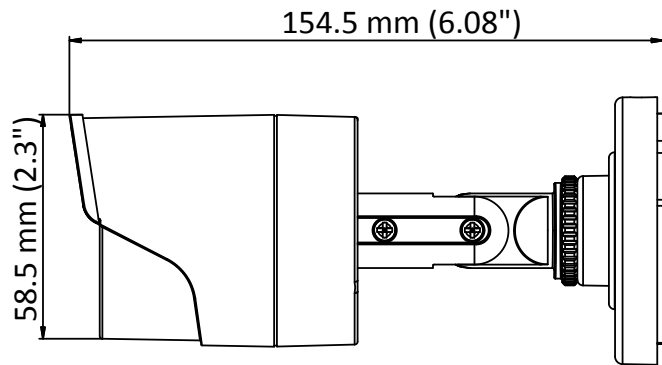
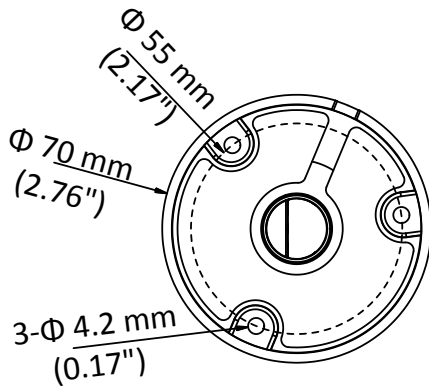
## Specifications

<b>Camera</b>	
Image Sensor	2MP CMOS image sensor
Signal System	PAL/NTSC
Frame Rate	PAL: 1080p@25fps NTSC: 1080p@30fps
Resolution	1920 (H) × 1080 (V)
Min. illumination	0.01 Lux@(F1.2,AGC ON), 0 Lux with IR
Shutter Time	1/25 (1/30) s to 1/50,000 s
Lens	2.8 mm, 3.6 mm, 6 mm fixed lens
Horizontal Field of View	103° (2.8 mm), 82.2° (3.6 mm), 54° (6 mm)
Lens Mount	M12
Day & Night	IR cut filter
Angle Adjustment	Pan: 0° to 360°, Tilt: 0° to 180°, Rotation: 0° to 360°
Synchronization	Internal synchronization
<b>Menu</b>	
AGC	Low/middle/high
Day/Night Mode	Smart/color/BW(Black and White)
Backlight Compensation	Yes
DWDR	Yes
Language	English
Functions	Brightness, Sharpness, DNR, Mirror
<b>Interface</b>	
Video Output	1 HD analog output
Switch Button	TVI/AHD/CVI/CVBS
<b>General</b>	
Operating Conditions	-40 °C to 60 °C (-40 °F to 140 °F), Humidity 90% or less (non-condensation)
Power Supply	12 VDC ± 15%
Power Consumption	Max. 4 W
Ingress Protection	IP66
Material	Metal
IR Range	Up to 20 m
Dimensions	Φ 70 mm × 154.5 mm (Φ 2.76" × 6.08")
Weight	Approx. 400 g (0.88 lb.)

### Order Model

DS-2CE16D0T-IRF

**Dimensions**



**Accessories**



DS-1280ZJ-XS  
Junction Box



DS-1H18  
Video Balun